

COOL  
CLEAN  
COOK

PRODUCT  
PRICE  
GUIDE

AUG 08



*it all adds up!*

**NORDMENDE**  
HOME ECONOMICS

### COOK > INTEGRATED DOUBLE OVENS

**BUILT-IN  
DOUBLE OVEN**  
BLACK - DOI300BL



Main oven: multifunction  
Top oven:  
Conventional with grill  
A rated  
Elec. clock/programmer

RRP €594 PRF €5

TOTAL  
**€599**

**BUILT-IN  
DOUBLE OVEN**  
S/STEEL - DOI300IX



Main oven: multifunction  
Top oven:  
Conventional with grill  
A rated  
Elec. clock/programmer

RRP €594 PRF €5

TOTAL  
**€599**

**BUILT UNDER  
DOUBLE OVEN**  
BLACK - DOU300BL

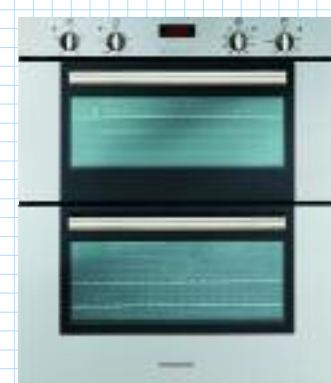


Main oven: multifunction  
Top oven:  
Conventional with grill  
A rated  
Elec. clock/programmer

RRP €594 PRF €5

TOTAL  
**€599**

**BUILT UNDER  
DOUBLE OVEN**  
S/STEEL - DOU300IX



Main oven: multifunction  
Top oven:  
Conventional with grill  
A rated  
Elec. clock/programmer

RRP €594 PRF €5

TOTAL  
**€599**

### COOK > INTEGRATED SINGLE OVENS

**INTEGRATED SINGLE  
CONVENTIONAL OVEN**  
BLACK - SO100BL  
S/STEEL - SO100IX



Single conventional oven  
Grill  
B rated  
Minute minder

BL: RRP €254 PRF €5  
SS: RRP €274 PRF €5

BL TOTAL SS TOTAL  
**€259 €279**

**INTEGRATED  
SINGLE FAN OVEN**  
BLACK - SO200BL  
S/STEEL - S200IX



Single fan oven  
Grill  
B rated  
Minute minder

BL: RRP €274 PRF €5  
SS: RRP €294 PRF €5

BL TOTAL SS TOTAL  
**€279 €299**

**INTEGRATED SINGLE  
MULTIFUNCTION OVEN**  
BLACK - SO300BL



Single multifunctional oven  
B rated  
Elec. clock/programmer  
Self-cleaning side liners

RRP €354 PRF €5

TOTAL  
**€359**

**INTEGRATED SINGLE  
MULTIFUNCTION OVEN**  
S/STEEL - SO300IX







Single multifunctional oven  
B rated  
Elec. clock/programmer  
Self-cleaning side liners





RRP €374 PRF €5

TOTAL  
**€379**

## COOK > HOBS





<p><b>SOLID PLATE ELECTRIC HOB</b> BLACK - HE60BL S/STEEL - HE60IX</p> 	<p><b>CERAMIC HOB FRAMELESS</b> - HC60FL S/STEEL TRIM - HC60IX</p> 	<p><b>FRAMELESS TOUCH CONTROL HOB</b> 60cm - HCT60FL</p> 	<p><b>FRAMELESS TOUCH CONTROL HOB</b> 78cm - HCT78FL</p> 
<p>Solid plate electric hob Side controls 2 x 2kw plates 1 x 1.75kw, 1 x 1kw plate</p>	<p>60cm ceramic hob Side controls 4 cooking zones Residual heat indicator lights</p>	<p>Touch front controls Frameless 4 cooking zones Child lock</p>	<p>Touch front controls Frameless 4 cooking zones Child lock</p>
<p>BL: RRP €149 SS: RRP €149</p>	<p>FL: RRP €239 SS: RRP €259</p>	<p>RRP €299</p>	<p>RRP €399</p>
<p>BL TOTAL    SS TOTAL <b>€149    €149</b></p>	<p>FL TOTAL    SS TOTAL <b>€239    €259</b></p>	<p>TOTAL <b>€299</b></p>	<p>TOTAL <b>€399</b></p>

## COOK > HOBS





<p><b>FRAMELESS INDUCTION HOB</b> 60cm - HCI60FL</p> 	<p><b>FRAMELESS INDUCTION HOB</b> 78cm - HCI78FL</p> 	<p><b>4 RING GAS HOB</b> BLACK - HG60BL S/STEEL - HG60IX</p> 	<p><b>5 RING GAS HOB</b> BLACK - HGW70BL S/STEEL - HGW70IX</p> 
<p>4 induction zones Frameless Pot detection Child lock</p>	<p>4 induction zones Frameless Pot detection Child lock</p>	<p>4 burners Side controls Cast iron pan supports Flame failure device</p>	<p>5 burners incl. wok burner Front controls Cast iron pan supports Flame failure device</p>
<p>RRP €499</p>	<p>RRP €699</p>	<p>BL: RRP €179 SS: RRP €179</p>	<p>BL: RRP €289 SS: RRP €289</p>
<p>TOTAL <b>€499</b></p>	<p>TOTAL <b>€699</b></p>	<p>BL TOTAL    SS TOTAL <b>€179    €179</b></p>	<p>BL TOTAL    SS TOTAL <b>€289    €289</b></p>

### COOK > COOKER HOODS

All cooker hoods suitable for recirculating or ducted extraction.

<p><b>60cm CANOPY COOKER HOOD</b> 1 x MOTOR - CHCAN1M 2 x MOTORS - CHCAN2M</p>  <p>CHCAN1M: 250m3/hr CHCAN2M: 400m3/hr Metal filters Metallic grey</p>	<p><b>60cm INTEGRATED COOKER HOOD</b> 1 x MOTOR - CHINT1M 2 x MOTORS - CHINT2M</p>  <p>CHINT1M: 248m3/hr CHINT2M: 320m3/hr Metal filters Metallic grey</p>	<p><b>CHIMNEY COOKER HOOD</b> 60cm - CHCMY60IX 90cm - CHCMY90IX</p>  <p>450m3/hr Push button control Metal filters Stainless steel</p>	<p><b>S/STEEL &amp; GLASS CHIMNEY COOKER HOOD</b> 60cm - CHGLS60IX 90cm - CHGLS90IX</p>  <p>450m3/hr 2 Halogen lamps Metal filters Stainless steel &amp; glass</p>
<p>1M: RRP €59 2M: RRP €79</p>	<p>1M: RRP €89 2M: RRP €119</p>	<p>60: RRP €129 90: RRP €159</p>	<p>60: RRP €349 90: RRP €399</p>
<p>1M TOTAL    2M TOTAL <b>€59        €79</b></p>	<p>1M TOTAL    2M TOTAL <b>€89        €119</b></p>	<p>60 TOTAL    90 TOTAL <b>€129       €159</b></p>	<p>60 TOTAL    90 TOTAL <b>€349       €399</b></p>

### COOK > INTEGRATED & FREESTANDING MICROWAVE OVENS

<p><b>INTEGRATED MICROWAVE OVEN</b> KAL6900Q + KAL6900QKIT (KIT)</p> 	<p><b>F/S MICROWAVE OVEN</b> WHITE - NM800WH SILVER - NM800SL</p> 	<p><b>F/S MICROWAVE OVEN</b> S/STEEL - NM800ISJ</p> 	<p><b>F/S MICROWAVE OVEN</b> BLACK - NM820BL SILVER - NM822SL</p> 
<p>900w microwave 1000w grill Auto defrost Child lock</p>	<p>800w microwave Manual Timer Defrost setting</p>	<p>800w Digital controls 5 power levels Stainless steel interior</p>	<p>800w Digital controls 5 power levels Defrost setting</p>
<p>KAL6900Q: RRP €159 KAL6900QKIT: RRP €40</p>	<p>WT: RRP €69.99 SL: RRP €69.99</p>	<p>RRP €99.99</p>	<p>BL: RRP €79.99 SL: RRP €79.99</p>
<p>TOTAL <b>€199</b></p>	<p>WT TOTAL    SL TOTAL <b>€69.99    €69.99</b></p>	<p>TOTAL <b>€99.99</b></p>	<p>BL TOTAL    SL TOTAL <b>€79.99    €79.99</b></p>

## CLEAN > INTEGRATED LAUNDRY

**INTEGRATED WASHING MACHINE**  
WMI1200



1200 rpm  
AAA rated  
8.5kg  
15 programmes

RRP €594 PRF €5

TOTAL  
**€599**

**INTEGRATED WASHER DRYER**  
WDI1200



1200 rpm  
AAA rated  
6kg (wash & dry)  
15 programmes

RRP €694 PRF €5

TOTAL  
**€699**

**INTEGRATED CONDENSER DRYER**  
TDIC7



Fully electronic  
A rated  
7kg  
7 programmes

RRP €674 PRF €5

TOTAL  
**€679**

## CLEAN > FREESTANDING LAUNDRY

**F/S WASHING MACHINE**  
WHITE - WM1000WH  
SILVER - WM1000SL



1000 rpm  
AA rated  
Variable spin  
5kg

WT: RRP €274 PRF €5  
SL: RRP €294 PRF €5

WT TOTAL SL TOTAL  
**€279 €299**

**F/S WASHING MACHINE**  
WHITE - WM1200WH  
SILVER - WM1200SL



1200 rpm  
AA rated  
Variable spin  
6kg

WT: RRP €294 PRF €5  
SL: RRP €334 PRF €5

WT TOTAL SL TOTAL  
**€299 €339**

**F/S WASHING MACHINE**  
WHITE - WMSN14WH  
SILVER - WMSN14SL



1400 rpm  
AA rated  
Variable spin  
6kg

WT: RRP €364 PRF €5  
SL: RRP €394 PRF €5

WT TOTAL SL TOTAL  
**€369 €399**

**F/S WASHING MACHINE**  
WHITE - WM1200LUXWH  
SILVER - WM1200LUXSL



1200 rpm  
AAA rated  
Variable spin  
8.5kg

WT: RRP €474 PRF €5  
SL: RRP €524 PRF €5

WT TOTAL SL TOTAL  
**€479 €529**

Silver available Autumn/Winter 08

## CLEAN > FREESTANDING LAUNDRY

**F/S WASHER DRYER**  
 WHITE - WD1200LUXWH  
 SILVER - WD1200LUXSL



1200 rpm  
 AAA rated  
 Variable spin  
 6kg (wash & dry)

WT: RRP €494 PRF €5  
 SL: RRP €544 PRF €5

WT TOTAL SL TOTAL  
**€499 €549**

Silver available Autumn/Winter 08

**F/S VENTED DRYER**  
 WHITE - TDV7WH  
 SILVER - TDV7SL



Vented dryer  
 B rated  
 Delay timer  
 7kg

WT: RRP €254 PRF €5  
 SL: RRP €294 PRF €5

WT TOTAL SL TOTAL  
**€259 €299**

Available Autumn/Winter 08  
 Product may vary from image shown.

**F/S CONDENSER DRYER**  
 WHITE - TDC7WH  
 SILVER - TDC7SL



Condenser dryer  
 B rated  
 Delay timer  
 7kg

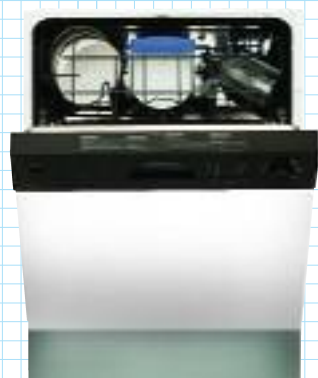
WT: RRP €324 PRF €5  
 SL: RRP €364 PRF €5

WT TOTAL SL TOTAL  
**€329 €369**

Available Autumn/Winter 08  
 Product may vary from image shown.

## CLEAN > INTEGRATED DISHWASHERS

**SEMI INTEGRATED DISHWASHER**  
 BLACK - DSSN60BL



7 programmes  
 AAA rated  
 47db  
 Half load option

RRP €424 PRF €5

TOTAL  
**€429**

**SEMI INTEGRATED DISHWASHER**  
 S/STEEL - DSSN60IX



7 programmes  
 AAA rated  
 47db  
 Half load option

RRP €424 PRF €5

TOTAL  
**€429**

**FULLY INTEGRATED DISHWASHER**  
 DFSN60



9 programmes  
 AAA rated  
 47db  
 Half load option

RRP €444 PRF €5

TOTAL  
**€449**

## CLEAN > FREESTANDING DISHWASHERS

F/S DISHWASHER  
WHITE - DW60WH



AA rated  
4 programmes  
49dB  
Foldable rack

F/S DISHWASHER  
SILVER - DW60SL



AA rated  
4 programmes  
49dB  
Foldable rack

F/S DISHWASHER  
WHITE - DWSN60WH



AAA rated  
7 programmes  
47dB  
Half load option

F/S DISHWASHER  
SILVER - DWSN60SL



AAA rated  
7 programmes  
47dB  
Half load option

RRP €294 PRF €5

TOTAL  
€299

RRP €334 PRF €5

TOTAL  
€339

RRP €364 PRF €5

TOTAL  
€369

RRP €394 PRF €5

TOTAL  
€399

## CLEAN > VACUUM CLEANERS

CYLINDER  
VACUUM CLEANER  
GREEN - NM80152



1600w  
Permanent reusable bag  
Tools on board  
Metal tubes

RRP €44.99

TOTAL  
€49.99

CYLINDER  
VACUUM CLEANER  
BLUE - NM80160



1800w  
Permanent reusable bag  
Tools on board  
Telescopic tubes

RRP €59.99

TOTAL  
€59.99

WET & DRY CANISTER  
VACUUM CLEANER  
GREEN - WD3100



1600w  
Wet and dry  
Adjustable power level  
Sink unblocking

RRP €129.99

TOTAL  
€129.99

**COOL > INTEGRATED REFRIGERATION**

All refrigeration has reversible doors.

**INTEGRATED  
FRIDGE/FREEZER  
RIFF5050**



F/f capacity 150/86L  
B rated  
Auto defrost fridge  
Glass shelves

RRP €479 PRF €20

TOTAL  
**€499**

**INTEGRATED  
FRIDGE/FREEZER  
RIFF7030**



F/f capacity 195/60L  
A rated  
Auto defrost fridge  
Glass shelves

RRP €479 PRF €20

TOTAL  
**€499**

**COOL > INTEGRATED REFRIGERATION**

All refrigeration has reversible doors.

**UNDER COUNTER  
4\* FREEZER  
RIUF100**



Freezer capacity 105L  
A rated  
3 x drawers  
4\* freezer

RRP €369 PRF €10

TOTAL  
**€379**

**UNDER COUNTER  
FRIDGE WITH ICE BOX  
RIUI120**



F/ice box capacity 98/17L  
A rated  
Auto defrost  
Adjustable thermostat

RRP €389 PRF €10

TOTAL  
**€399**

**UNDER COUNTER  
LARGER FRIDGE  
RIUL140I**



Fridge capacity 135L  
A rated  
Auto defrost  
Adjustable thermostat

RRP €369 PRF €10

TOTAL  
**€379**



## COOL > FREESTANDING REFRIGERATION

All refrigeration has reversible doors.

**F/S FRIDGE/FREEZER**  
 WHITE - RFF260WH  
 SILVER - RFF260SL



F/f capacity 189/49L  
 A rated  
 Auto defrost fridge  
 Glass shelves

WT: RRP €279 PRF €20  
 SL: RRP €299 PRF €20

WT TOTAL SL TOTAL  
**€299 €319**

**F/S FRIDGE/FREEZER**  
 WHITE - RFF311NFWH  
 SILVER - RFF311NFSL



FROST  
 FREE

F/f capacity 159/104L  
 A rated  
 Frost free  
 Glass shelves

WT: RRP €379 PRF €20  
 SL: RRP €419 PRF €20

WT TOTAL SL TOTAL  
**€399 €439**

**F/S FRIDGE/FREEZER**  
 WHITE - RFF330WH  
 SILVER - RFF330SL



F/f capacity 190/111L  
 A rated  
 Auto defrost fridge  
 Glass shelves

WT: RRP €379 PRF €20  
 SL: RRP €399 PRF €20

WT TOTAL SL TOTAL  
**€399 €419**

**F/S FRIDGE/FREEZER**  
 WHITE - RFF365WH  
 SILVER - RFF365SL



F/f capacity 234/110L  
 A rated  
 Auto defrost fridge  
 Glass shelves

WT: RRP €429 PRF €20  
 SL: RRP €449 PRF €20

WT TOTAL SL TOTAL  
**€449 €469**

## COOL > FREESTANDING REFRIGERATION

All refrigeration has reversible doors.

**F/S FRIDGE/FREEZER**  
 WHITE - RFF366NFWH  
 SILVER - RFF366NFSL



FROST  
 FREE

F/f capacity 237/98L  
 A rated  
 Frost free  
 Glass shelves

WT: RRP €449 PRF €20  
 SL: RRP €479 PRF €20

WT TOTAL SL TOTAL  
**€469 €499**

**F/S 4\* UNDER  
 COUNTER FREEZER**  
 WHITE - RUF145WH  
 SILVER - RUF145SL



Freezer capacity 101L  
 4\* freezer  
 A rated  
 Reversible doors

WT: RRP €209 PRF €10  
 SL: RRP €229 PRF €10

WT TOTAL SL TOTAL  
**€219 €239**

**F/S FRIDGE WITH  
 ICE BOX**  
 WHITE - RUI140WH  
 SILVER - RUI140SL



F/ice box capacity 108/13L  
 A rated  
 Auto defrost fridge  
 Glass shelves

WT: RRP €189 PRF €10  
 SL: RRP €209 PRF €10

WT TOTAL SL TOTAL  
**€199 €219**

**F/S UNDER COUNTER  
 LARDER FRIDGE**  
 WHITE - RUL150WH  
 SILVER - RUL150SL



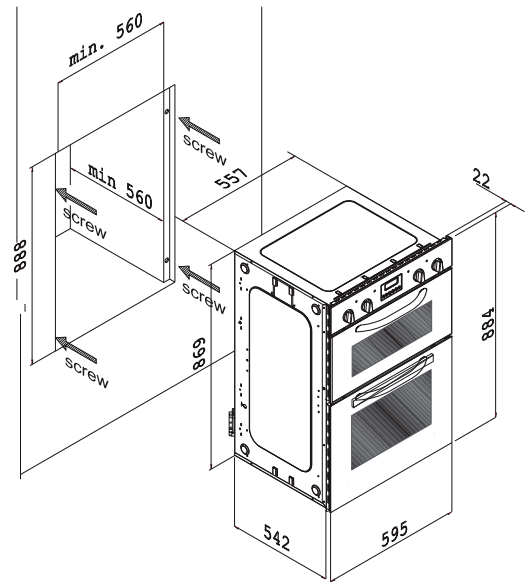
Fridge capacity 134L  
 A rated  
 Auto defrost  
 Glass shelves

WT: RRP €189 PRF €10  
 SL: RRP €209 PRF €10

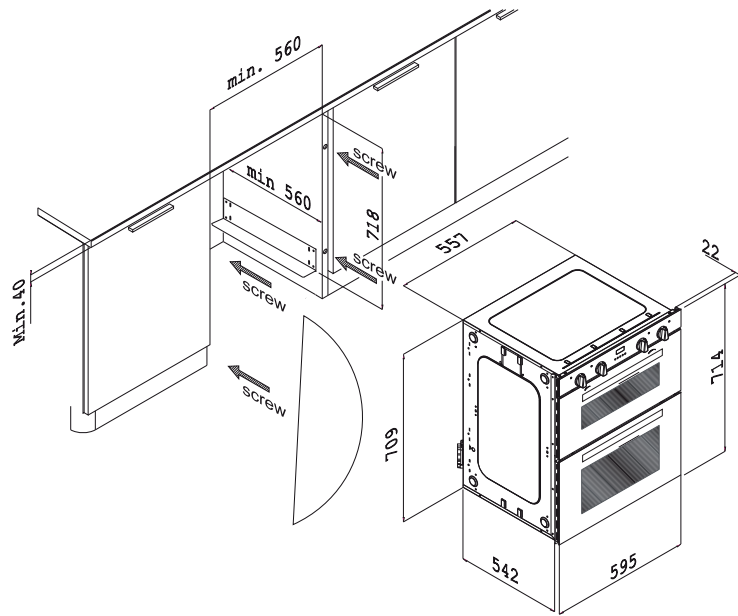
WT TOTAL SL TOTAL  
**€199 €219**

# INTEGRATED OVEN DIMENSIONS

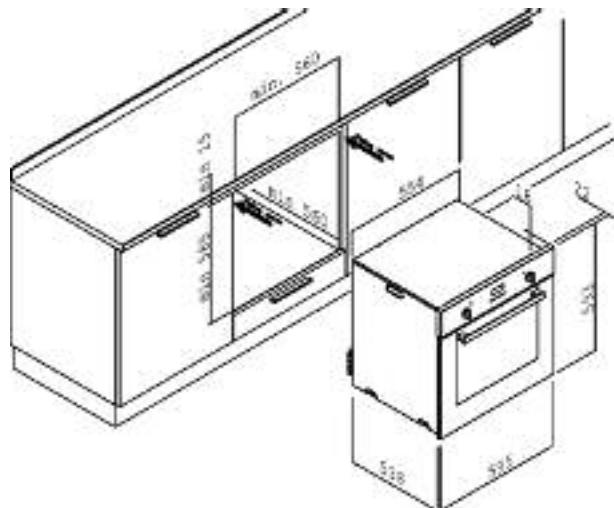
DOI300BL  
DOI300IX



DOU300BL  
DOU300IX

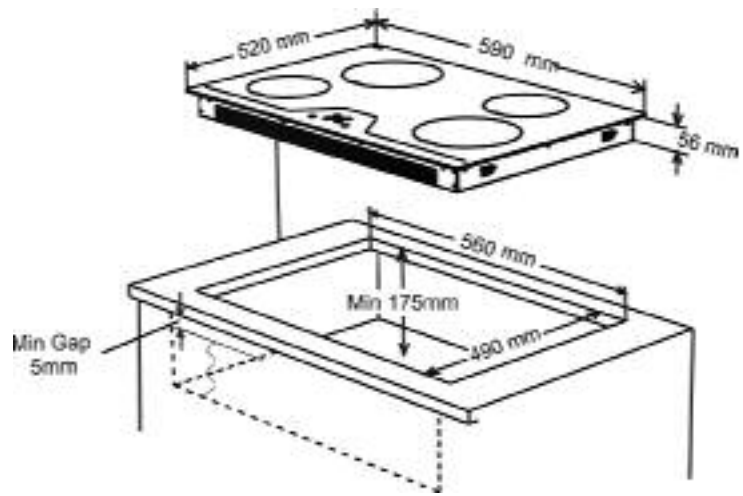


S0100BL  
S0100IX  
S0200BL  
S0200IX  
S0300BL  
S0300IX

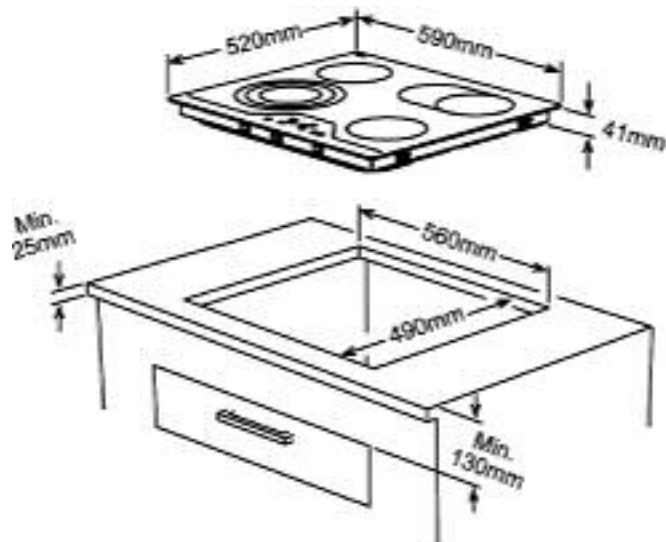


## INTEGRATED HOB DIMENSIONS

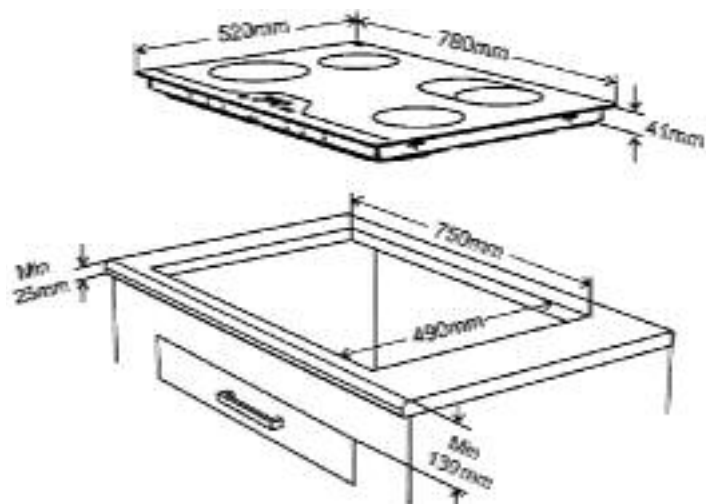
HC60IX  
HC60FL



HCT60FL

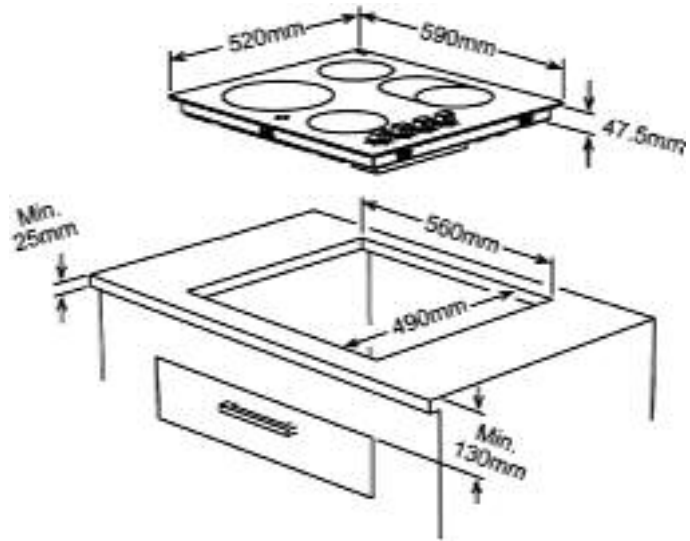


HCT78FL

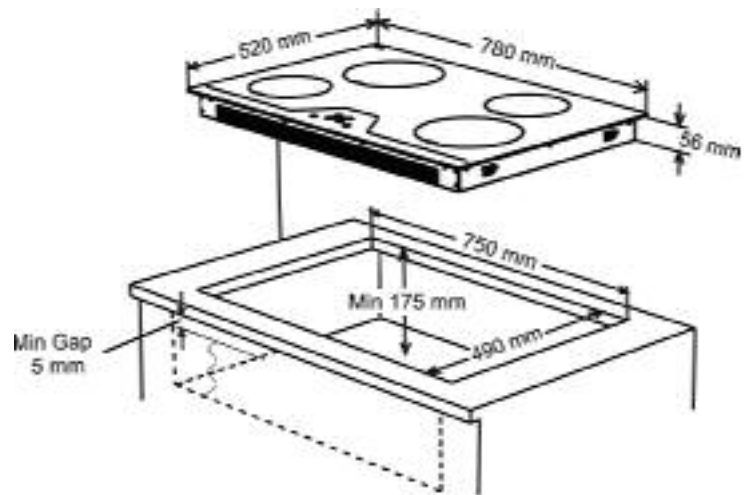


## INTEGRATED HOB DIMENSIONS

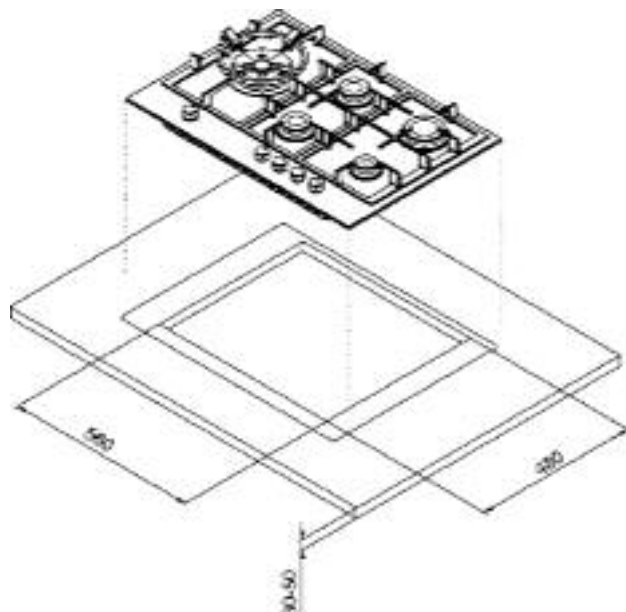
### HCI60FL



### HCI78FL

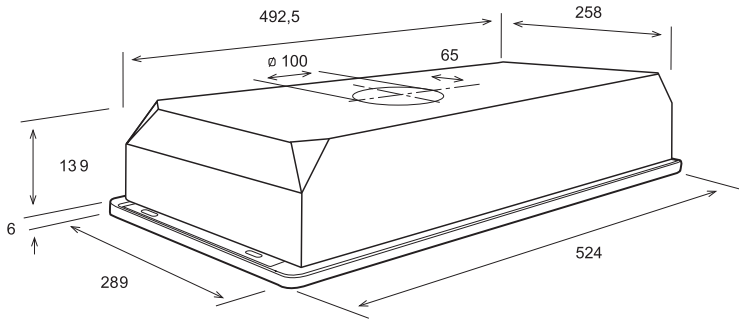


### HE60BL/IX HG60BL/IX HGW70BL/IX

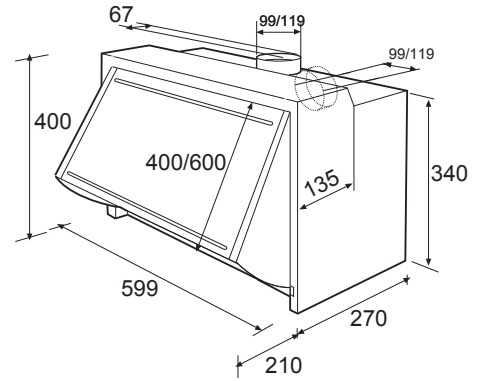


# INTEGRATED COOKER HOOD / MICROWAVE DIMENSIONS

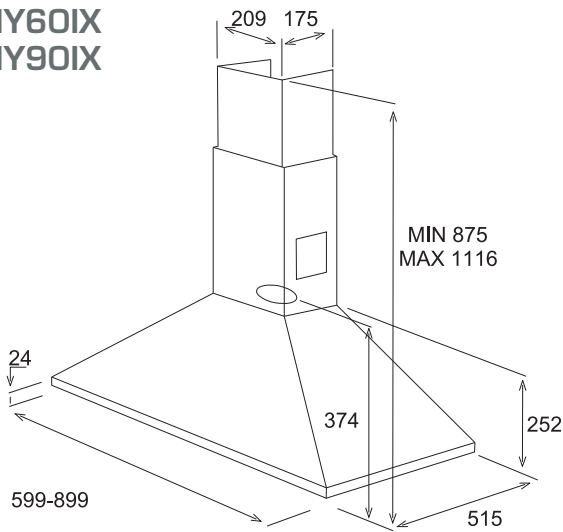
**CHCAN1M  
CHCAN2M**



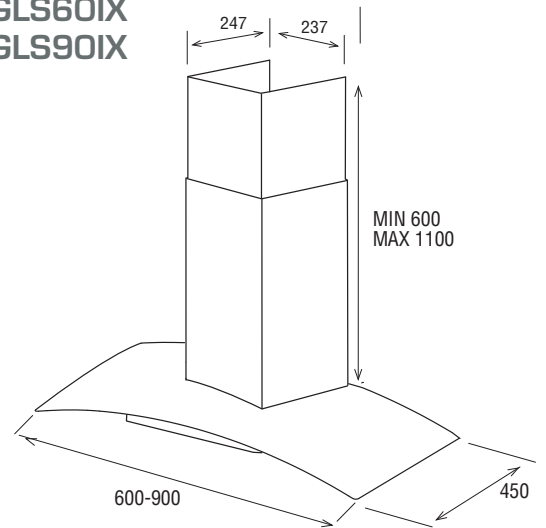
**CHINT1M  
CHINT2M**



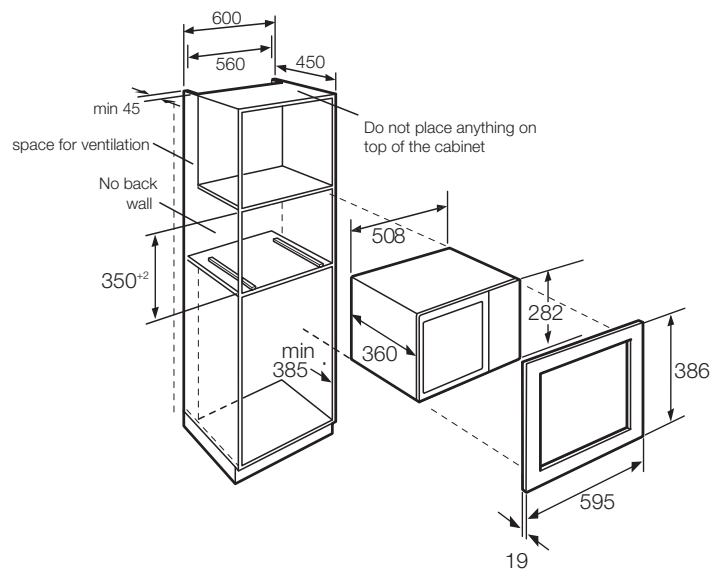
**CHCMY60IX  
CHCMY90IX**



**CHGLS60IX  
CHGLS90IX**

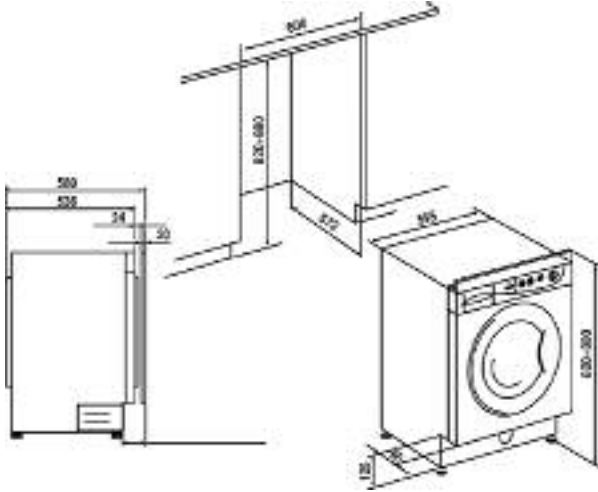


**KAL6900Q**

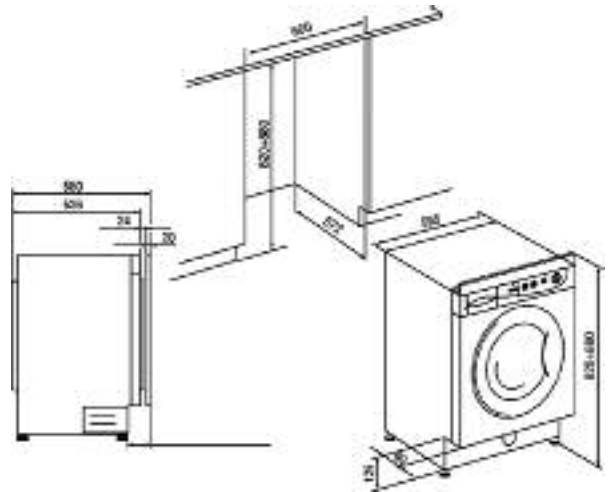


# INTEGRATED LAUNDRY DIMENSIONS

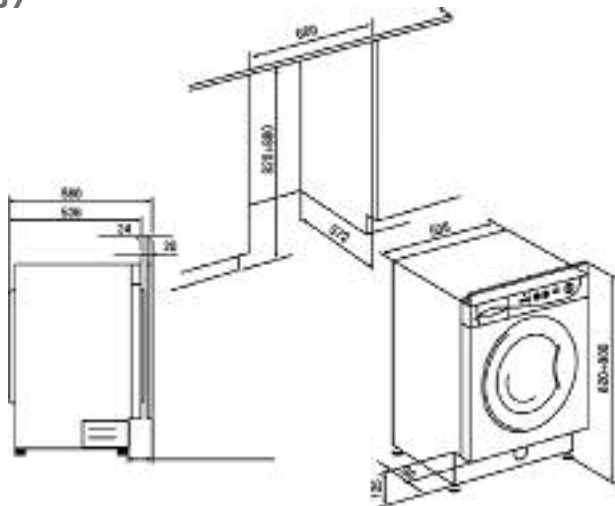
### WDI1200



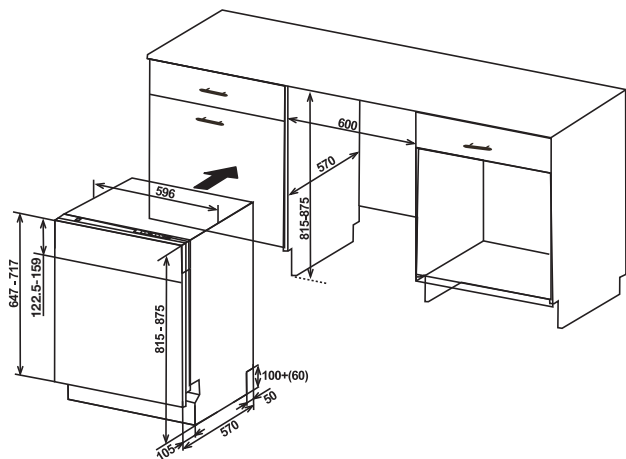
### WMI1200



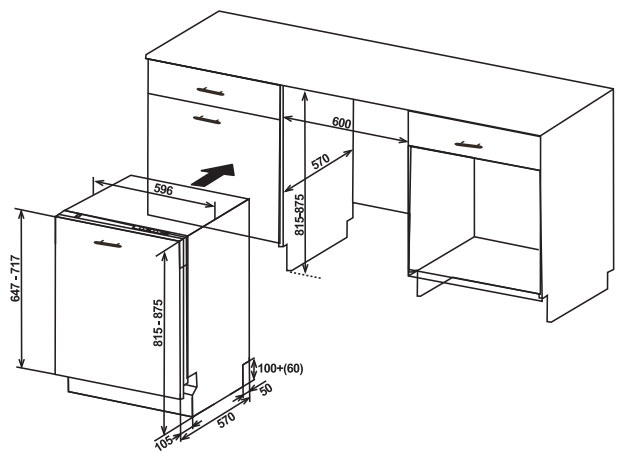
### TDIC7



### DSSN60BL DSSN60IX

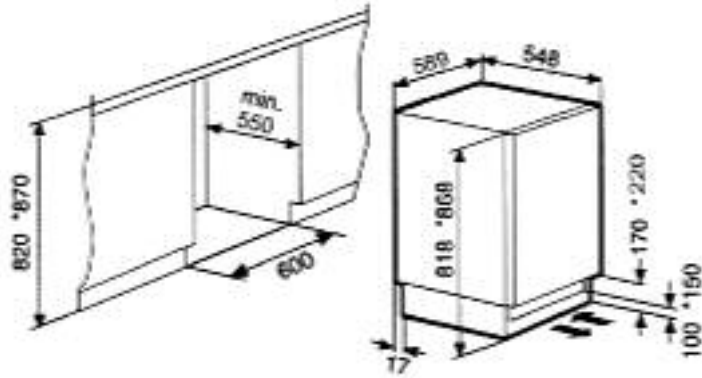


### DFSN60

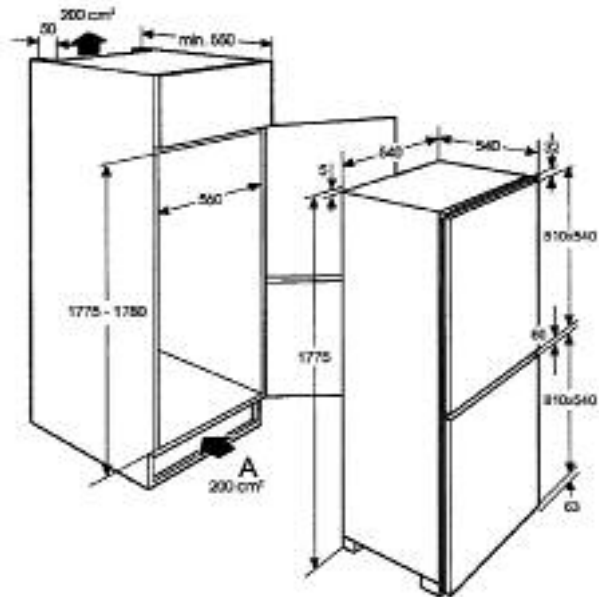


## INTEGRATED REFRIGERATION DIMENSIONS

RIUF100  
 RIUI120  
 RIUL140I

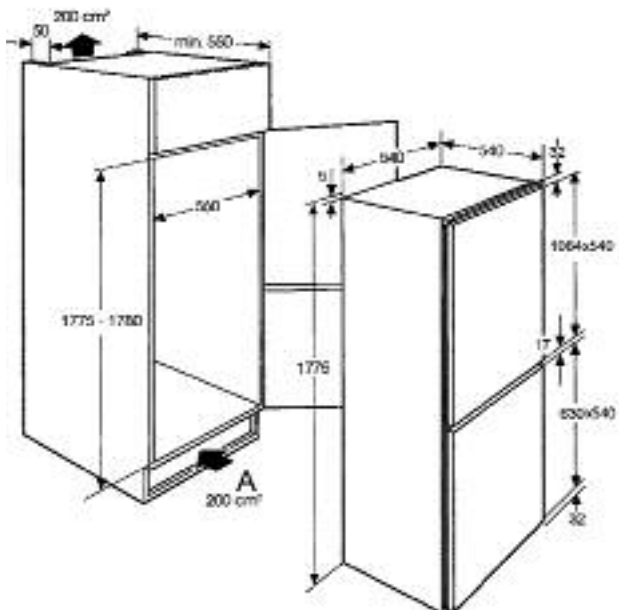


RIFF5050



Note. For installation, 40mm build-up required.

RIFF7030



Note. For installation, 40mm build-up required.

---

KAL Group  
4078 Kingswood Road  
Citywest Business Campus  
Dublin 24



A member of the  
Gowan Group

T: 01 413 6400  
info@kal.ie  
www.kal.ie

---

## After Sales Service

At Nordmende, the quality of our after-sales service is just as important to us as the quality of our products.

Naturally, if you choose an appliance supplied by us, you will be able to rely upon your appliance to provide you with many years of loyal service and devotion to duty.

However, in the event of a problem, you can feel secure in the knowledge that Nordmende's service is based right here in Ireland with a network of engineers nationwide.

If you do encounter a problem simply contact Kalserve using the relevant information below:

Telephone  
From ROI 01 4136 481  
From NI 00353 1 4136 481  
or email  
kalserve@kal.ie

Kalserve  
4078 Kingswood Road  
Citywest Business Campus  
Dublin 24

www.kal.ie

---

## Information needed to log a Nordmende service call

Before contacting Kalserve please have the following information to hand:

1. Full model number
2. Full serial number
3. Date of purchase
4. Name of retailer purchased from
5. Your name, full address and contact number
6. Fault details

---

## Warranty Information

Nordmende COOL, CLEAN, COOK products: 3 year Parts and Labour\*

\* Nordmende COOL, CLEAN, COOK products are fully guaranteed for 2 years from the date of purchase. If you register your product online within 30 days you'll receive an additional 1 year guarantee (so 3 years in total). During that time period any repairs you need will be carried out by our national network of service engineers. **To register your product please visit [www.nordmende.ie](http://www.nordmende.ie)** Your warranty covers major parts. Please visit [www.nordmende.ie](http://www.nordmende.ie) for listings of parts covered under warranty. Excludes microwaves and vacuum cleaners which carry a 1 year parts and labour warranty.

---

We reserve the right to alter specification without prior notice.

All prices shown are inclusive of VAT at 21%.

**NORDMENDE**  
HOME ECONOMICS

[www.nordmende.ie](http://www.nordmende.ie)